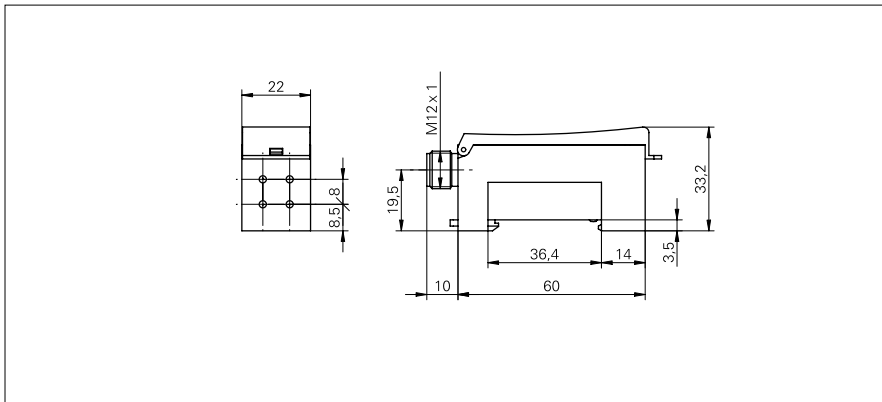


Fiber optic sensors & cables

FVDK 22P6101/S14C

dimension drawing



general data

actual range Sb (FSE 200C1002)	320 mm
sensing distance Tw (FUE 200C1003)	90 mm
light source	pulsed red LED
light indicator	LED green
alignment / soiled lens indicator	LED green, flashing
output indicator	LED yellow
adjustment	Teach-in
wave length	660 nm
suppression of reciprocal influence	yes

electrical data

response time / release time	< 1 ms
voltage supply range +Vs	10 ... 30 VDC
current consumption max. (no load)	68 mA
current consumption typ.	50 mA
voltage drop Vd	< 1,8 VDC
output function	light / dark operate switchable
output circuit	PNP
output current	< 100 mA
short circuit protection	yes
reverse polarity protection	yes

mechanical data

width / diameter	22 mm
height / length	33,2 mm
depth	60 mm
type	rectangular
housing material	PBT / PC
connection types	connector M12 5 pin

ambient conditions

operating temperature	-25 ... +55 °C
protection class	IP 65

photo



connection diagram

